

**Industrial vacuum cleaners
for Food + Pharma
type R40, R41, R42, R44**
Process reliability
with cleanliness



Industrial vacuum cleaner type R40

Cleaning
Easy Air Touch

Exhaust air diffuser

OMIKRON filter
dust class M

Manometer

On-/Off-switch

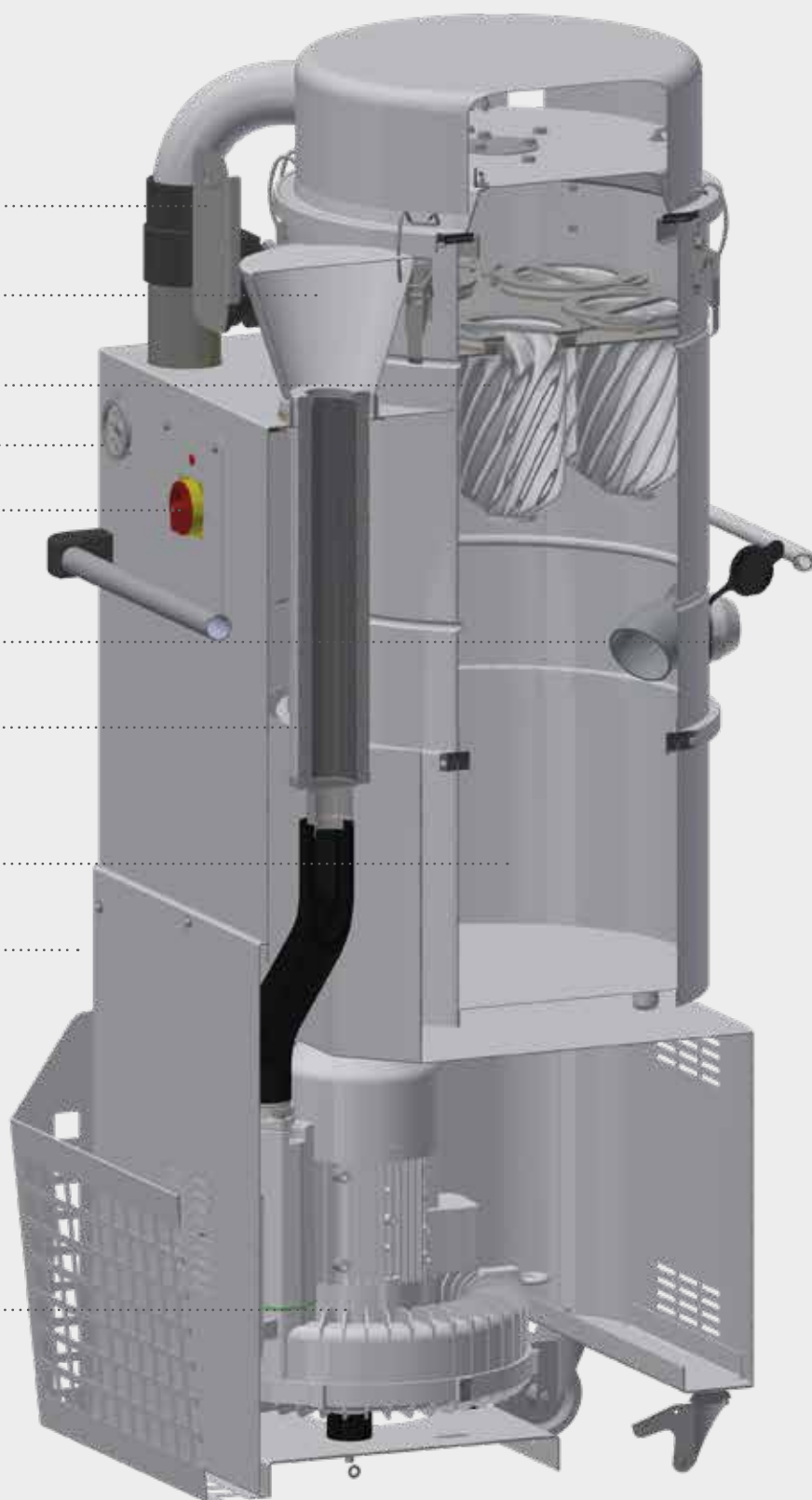
Suction connection

Silencer

Dust bin

Steel housing

Side channel blower



Cleanliness in the process chain

- Complies with current food regulations
- Hygienic Design
- Can be integrated into the Good Manufacturing Process (GMP)
- Stainless steel

R40
Stainless steel



R40
Powdercoated steel housing with stainless steel dust bin



Good in combination with the OMIKRON filter technology

Industrial vacuum cleaner type R41

Suction connection

Inspection glass

Steel housing

Cell filter
dust class L/M

Mains connection cable

On-/Off-switch

Side channel blower



Optimised for your applications

- Pick-up of bulky materials (offcuts, e.g. paper, plastic, fabric)
- Optimum utilisation of the filter by using the quick-change fleece bag

R41
Powdercoated steel



R41
with fleece bag



Industrial vacuum cleaner type R42



Industrial vacuum cleaner type R44

Steel housing

Manual cleaning

Starfilter
dust class M

Exhaust air diffuser

Manometer

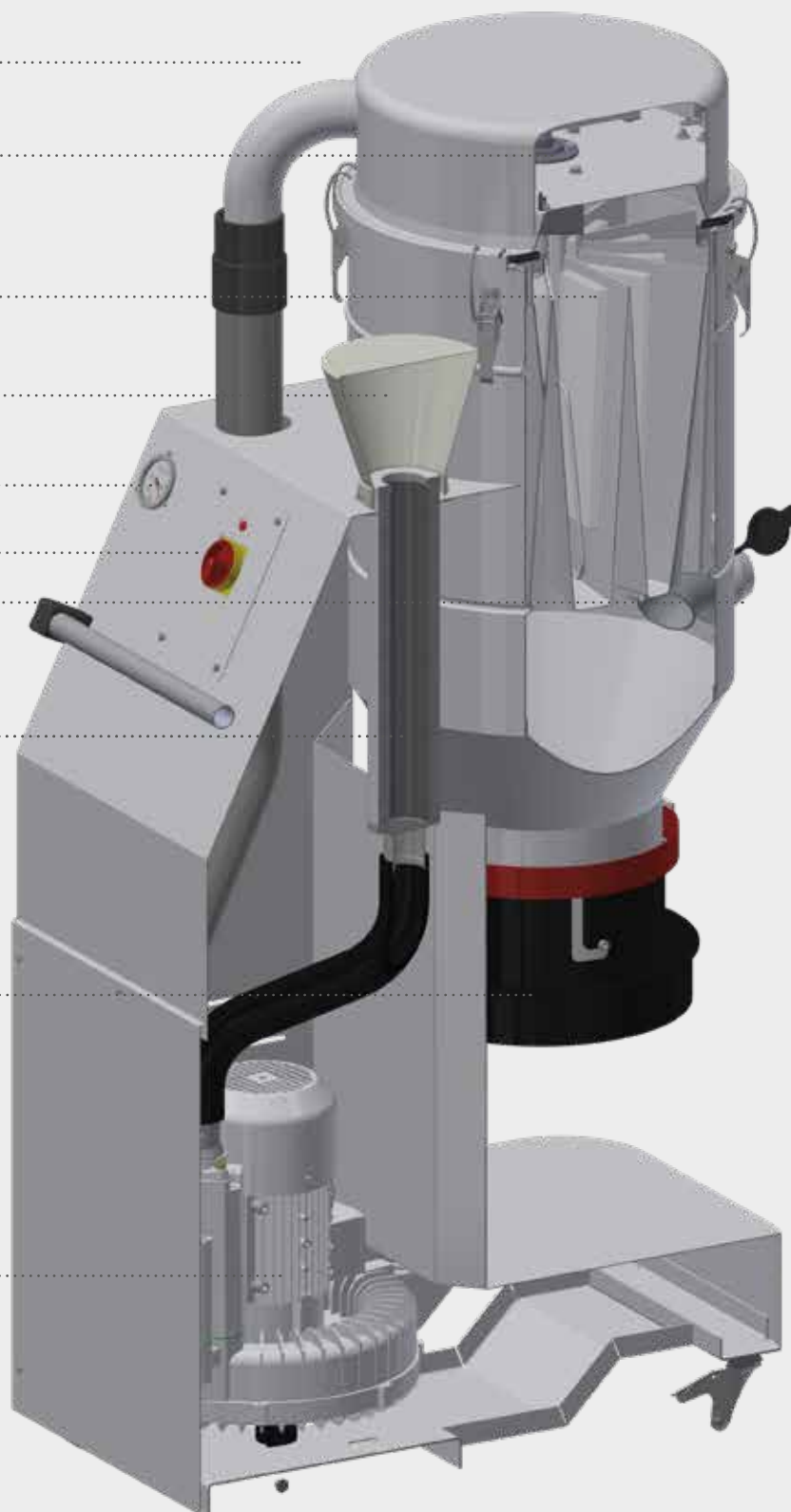
On-/Off-switch

Suction connection

Silencer

Holder
for Longopac®

Side channel blower



Technical data

	R40 S015	R40 S022	R41 S015	R41 S022	R41 S040	R42 S009	R42 S015	R42 S022	R44 S022
Housing*	Steel	Steel	Steel	Steel	Steel	Steel	Steel	Steel	Steel
Motorpower (kW)	1,5	2,2	1,5	2,2	4,0	0,89	1,5	2,2	2,2
Voltage (V)	400	400	400	400	400	400	400	400	400
Vacuum (mbar)	-210	-225	-225	-325	-510	-175	-190	-210	-225
Air flow rate (m ³ /h) (measured at the drive)	225	320	220	320	360	150	210	320	320
Air flow rate (m ³ /h) (measured with 3m hose)	200	240	200	250	270	130	190	240	240
Sound pressure level (dB(A)) (DIN EN ISO 3744)	63	67	66	67	71	62	66	66	67
Starfilter dust class M (m ²)	0,7	1,95	-	-	-	0,26	0,7	0,7	1,95
OMIKRON filter dust class M (m ²)	0,45	0,75	-	-	-	-	-	-	0,75
Cellfilter dust class L/M (m ²)	-	-	1,2	1,55	1,55	-	-	-	-
Residual dust filter dust class H (m ²)	1,4	3,5	-	-	-	1,2	1,7	1,7	3,5
Width (mm)	459	569	566	672	649	392	492	492	530
Length (mm)	684	793	602	686	1.214	451	522	522	887
Height (mm)	1.460	1.665	1.236	1.295	1.359	763	1.084	1.084	1.786
Type of protection (IP)	55	55	55	55	55	55	55	55	55
Capacity (litre)	25	50	102	155	210	9	12	12	Longopac®
Suction connection (mm)	50	50	50	50	50	50	50	50	50

* Customised configurations possible: stainless steel dust tray, stainless steel dust tray and filter unit, complete stainless steel housing.



The Industrial Vacuum Cleaners are available in explosion protected version in accordance with ATEX 2014/34/EU.



DIN EN 60335-2-69,
 Anh. CC



ATEX 2014/34/EU



DIN IEC 60335-2-69, Anh. AA